

# The Messenger

November

2009

*Kindness, If  
you show it to  
others, will ra-  
diate from you  
like the warmth  
of the sun over  
the hilltops.  
~ Source unknown*

## Pastor's Pen

I would like to take this time wish you a Happy Thanksgiving. I pray that the spirit of God's love for you and all your loved ones will warm your heart and lead you to enthusiastically claim the words of the song-writer in Psalm 146:1 as your own!

and, if we are able, participate in the lives of those who are less fortunate than us. We show them compassion and the love of God.

Finally, may I please ask that you pray for God's Church---Memorial, that it be equipped to share and spread the Good News of Christ in our community and beyond.

### Inside this issue:

Pastor's Pen	1
Birthdays & Anniversaries	2
Kids Page	3
Outreach	8
Youth Group	6
United Methodist Women	4
Calendar	9
Prayer Requests	6
Poem	5

Praise the Lord. Praise the Lord, O my soul. I will praise the Lord all my life; I will sing praise to my God as long as I live.  
  
Amen!

Thank you so much for your continued support of Memorial. May God richly bless you and your family in the coming year.

There is something inspiring and uplifting about Thanksgiving for me, and I hope the same is true for you too. It is the time when we look back into our lives and praise God for His grace and kindness toward us. We are so blessed! It also a time when we give thanks to God for the freedom we have to worship the loving and gracious God... something that is still prohibited in certain parts of the world. We don't have that problem in our country; praise be to God This is also the time we fervently pray

See you in church on Sunday!

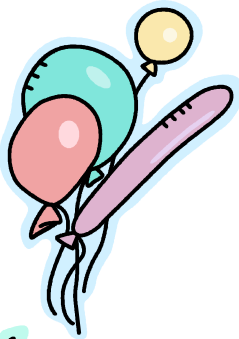
Pastor Kwadwo

## *An Abundance of Thanks*



# November Birthdays

- 02 Richard Robards
- 03 Olivia Cleveland
- 05 Hailey Johnson
- 05 Elizabeth Jordan
- 06 Laura Murrie
- 08 Joyce Sabine



- 13 Phillip Davis
- 15 Phyllis Richardson
- 15 Deborah Summers
- 17 Alana Cleveland
- 18 Amber Johnson
- 20 Mike Clark
- 24 Paul Richardson
- 27 Mary Kroll
- 28 Dominique Colton
- 29 Richard Crouthers
- 30 Ramona Coopriider
- 30 Emerson Drake
- 30 William Traynor



# OFFICE HOURS

The church office is open:

Mon—Fri 8:00 a.m.—1:00 pm.

Telephone: 847-872-5757

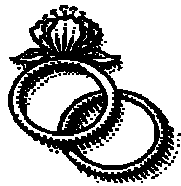
Email: [memorialunited1.church@comcast.net](mailto:memorialunited1.church@comcast.net)

For Hospitalizations, Surgery, or other emergencies

847-872-4293

Cell: 773-520-4801

# November Anniversaries



03 *Matthew & Tammy Robards*

Don't forget to  
call the office  
with your  
special  
announcements.

# Front Sign Volunteers

for July, August & September:

Ashley Zappa, Laura Murrie, Fred Roberts, Jean Roberts, Terryl Rajcevich, Evelyn Matson, Lelia Johnson, Nancy Johnson, The Pierce family – Ralph, Chris, Gretta, & Anna, Nancy Ntim.

To each of you our thanks for your participation proving:

Many hands make

Light work!

~ God Bless!

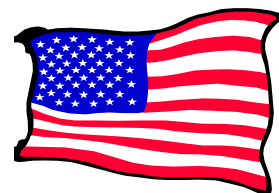
# Our Military Service People

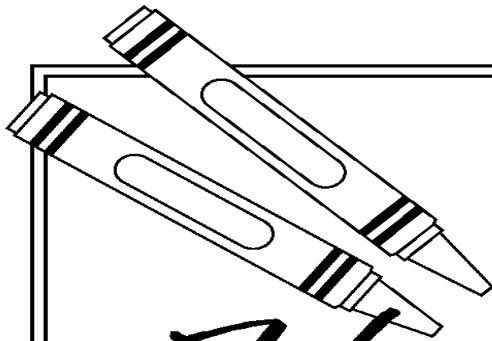
Captain. Timothy J. Rajcevich  
in Japan

Sgt. Curtis Winston

Senior Airman Alex Wicketts  
in Germany

1st Lt. Jaclyn Deutsch





# Just for **KIDS**

## He gave thanks

This Thanks giving, you may share a special meal with family and friends. Do you remember the time when Jesus shared a meal with thousands of people and gave thanks?

Use the clues to find important words from Matthew 14:19 (NIV).

**Across**

- 1. opposite of down
- 3. opposite of up
- 4. more than one loaf
- 6. penniless
- 8. place where God dwells
- 9. bass, halibut, salmon and others
- 10. past tense of give
- 11. a command you give to a dog

**Down**

- 2. another name for humans
- 3. twelve of Jesus' closest friends
- 5. what a lawnmower cuts
- 7. \_\_\_\_\_ giving
- 9. odd number after 4

The crossword puzzle grid consists of white squares for letters and black squares for empty space. The numbered starting points are:

- 1: Top-left corner (1 square)
- 2: Top row, second square (1 square)
- 3: Top row, fourth square (4 squares)
- 4: Middle row, first square (6 squares)
- 5: Middle row, third square (2 squares)
- 6: Middle row, fourth square (4 squares)
- 7: Middle row, sixth square (2 squares)
- 8: Middle row, eighth square (6 squares)
- 9: Bottom row, first square (4 squares)
- 10: Bottom row, second square (4 squares)
- 11: Bottom row, sixth square (3 squares)

Across: 1. up, 3. down, 4. loaves, 6. broke, 8. heaven, 9. fish, 10. gave, 11. sit  
 Down: 2. people, 3. disciples, 5. grass, 7. thanks, 9. five

## UMW News

I wanted to thank all of you who worked at the Rummage sale Luncheon and who contributed baked goods that were sold. We did earn about \$2000.00 dollars which will be contributed to the church for a start up fund for the carpet in the Wesley Room and the hallway. It is a small start but will grow in time.

Memorial UMW is joining with North Prairie UMW in collecting winter scarves for the children (elementary through high school ages) at Cunningham Children's Home in Urban, IL. This is a residential facility for children who have been removed from the home due to abuse and/or neglect. It is operated by the United Methodist Women. If you knit or crochet we welcome you to do so for this worthy cause. The scarves are needed by November 15th. One of the executives will be presenting the program for the meeting at North Prairie on Wednesday potluck in November 18th. You are invited to this meeting. Please make reservations with Laura Murrie by Nov. 8th.

The next three weeks the UMW will be collecting books for children 3-12 years old at the Marcy Newbury Center. This is an agency of the United Methodist Conference and is located in Chicago. It has many programs for children of



all ages and for adults also. We are making a monetary contribution toward infant needs and a collection of books for children. These books need to be appropriate for the diverse population that is served. You will find this type of book in the larger bookstores. If you do not care to shop, you may make a financial contribution instead. There will be a collection box in the sanctuary starting October 25. Books will also be collected at the UMW meeting on Monday, October 26 at 7:00 pm in the Wesley Room.

### The UMW CANDY SALE

Will start on Sunday, November 29th. We will be in the Wesley Room between services and outside the sanctuary after the 11 am service on Sundays through December 20th. The prices will be the same as last year and will include the same good selection. Please note that all monies earned will be used for UMW Mission projects—local and worldwide. Thank you for your support.

Connie Carr, Chair  
UMW

## Boy Scout - Popcorn Sale

I would like to thank you and your congregation for their generous support of this year's Popcorn Sale. Our Cub Scouts had a fantastic sale that exceeded many of the group sales we have had at local businesses this year. One of your members even bypassed an earlier request to buy popcorn so that she could purchase if from our Scouts on Sunday Morning.

Popcorn Sales support all our activities throughout the year and make scouting possible for many boys.

We thank you for everything MUMC has done for Pack 663 throughout the year.

Jodi Hopkins

## Are You Registered to Vote?

If you have moved or changed your name, or are now 18 and would like to register to vote, please see Don Noren.

If you are registered to vote and are available to serve on election day and or early voting days, You could be an Election Judge in Lake County!

Please see Don Noren for more information.

## I Have A Vision Which Could Become A Reality

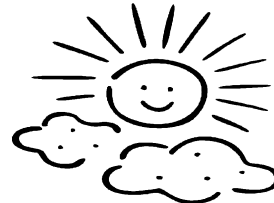
By Bobbie W. Blackwell, Jr.

I have a vision in which  
Children of all kinds  
Play together and  
Not raise fists.

I have a vision in which  
People work together  
And not gossip in offices,  
Factories, Mines, Restaurants,  
Etc., and be positive as  
Well as optimists.

I have a vision in which  
All will use their talents,  
Skills, and abilities to help  
The world become a better  
Place leading up to a  
Heavenly, Everlasting Eternity.

I have a vision which could become reality.



## Label Collection



### Thanks to All for your help!

We turned in 664 Campbell's labels and \$37.60 in 10 cent coupons to Henderson Settlement in June, 2009.

Keep saving and place your labels and coupons in the basket across from the office.

Not sure what to save?  
List available in drop off basket.

## United Methodist Men



Every month, on the second Saturday, Men are invited to join us for breakfast and fellowship at 7:30 am at the Church. Please come and enjoy the food and the enriching discussions.



*With Deepest Sympathy*

*Marjory Henke*

*Charles Ashton*

*George Dix*

**WORSHIP VOLUNTEERS NEEDED**

Sign up on the clip board to be  
a part of Sunday Worship by

Hosting - coffee hour

Donating Snacks

Be a Reader (Liturgist)

Greeter

**Youth Group**

**November Youth Group Schedule**

Sunday November 8th Leaf Raking 2pm

Saturday November 14 Field Trip to Synagogue  
with Confirmands

Sunday November 22 Gym Night 6-8 pm

Sunday November 29 NO Youth Group

If you would like more information about the  
youth group contact the church office at 847-  
872-5757.

**TO HELP**

**H old**

**E ncourage**

**L isten**

**P ray** from Daily Guideposts 2001



**Please keep these people  
in your prayers:**

To activate the Prayer  
Chain contact the office  
or Betty Pell at 847-746-  
8357.

Sharron Thorn, Jennifer Long, Genny & Roger  
Vernier, Bobbie Blackwell, Muriel Ernst, Curt  
Winston, Dacia Winston, Mike Clark, Greg Fink

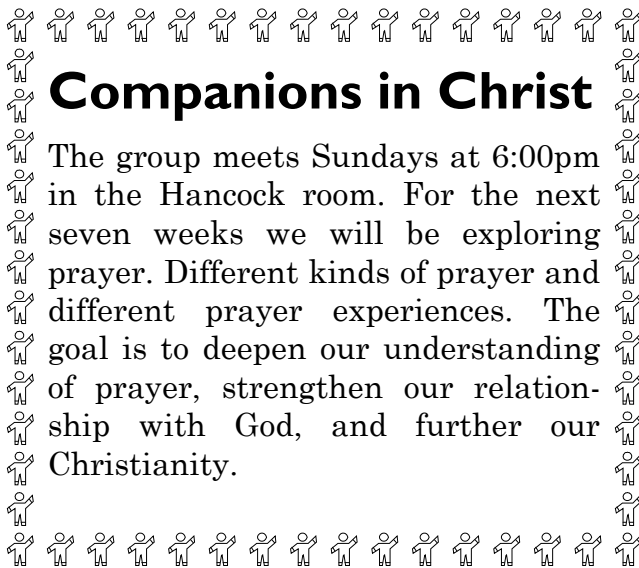
**Charge Conference**

**Saturday, Dec. 5th**

**at 1 1 am**

**Companions in Christ**

The group meets Sundays at 6:00pm  
in the Hancock room. For the next  
seven weeks we will be exploring  
prayer. Different kinds of prayer and  
different prayer experiences. The  
goal is to deepen our understanding  
of prayer, strengthen our relation-  
ship with God, and further our  
Christianity.



## The Results from Fall Rummage Sale

Thanks to all for the donations for the Fall Rummage Sale which benefited more than just Memorial's church budget.

Thanks to the Twenty Eight volunteers who put in approximately 1000 hours form set up beginning Sunday at 1 pm on September 20th until closing down about 4 pm on Saturday, September 26th. Seven men and women who have not worked on a previous sale joined in and we all got to meet and share this time together. Time out for coffee breaks and lunch allowed time to get acquainted. All appreciated and enjoyed the donated food items.

Now for the results: from the sale days Friday and Saturday, we earned for the church budget \$4500.00

From the remaining rummage, children's clothing was packed in six boxes to take to Kentucky in June 2010 when Henderson Team go for their Mission Week.

A number of large boxes were packed with women's clothing for the Dwight Correctional Facility. Winter coats were given to a correction facility for those inmates released in the cold weather.

Children's video tapes and books will be used by the United Methodist Women for one of their mission projects. An assortment of books went to Zion Library for their next fundraising book sale.

On Wednesday morning the truck from Purple Heart arrived and with the help of four of our men (a total of 18 hours was spent) loaded approximately 100 packed boxes and misc. large items such as lamps, baby stroller, and yes, Santa and his Reindeer!

Thanks again to all,  
Sharron Thorn



## Stewardship Campaign

It's that time of year again! The Annual Stewardship Renewal time. Each year the Stewardship Campaign helps Memorial begin next year's ministry journey by planning wise ways in which to use our gifts of time, talent and financial tithes to fulfill Memorial's witness to Christ's love. Please take time to reflect on the

message in the information packets coming soon.

Inspiration Sunday - November 1st  
Gratitude Sunday - November 8th  
Dedication Sunday - November 15  
Celebration Sunday - November 22

\* Consider the Miraculous \*

## Hanging 'O Greens



December 5th

Noon - After  
Charge Conference

Chili Luncheon & Decorating



## Poinsettia Orders



Order your Holiday Poinsettia for \$10.00 ea

Remember to write your name and the quantity on the envelope. Please be sure to **circle** whether it is to be "In Memory" or "Honor of".

Make checks payable to MUMC note Poinsettia.

Order Envelopes will be available on the Clip Board beginning Sunday Nov. 1. Also on the Bulletin Board and in the church office. Deadline for ordering your Poinsettia is Nov. 30th

## Outreach Committee ABC's

### 2x Thanks = A Big HUG

The School Bus box overflowed and when sorted became 4 boxes! It was a good variety of items on the supply list for East School.

We took the boxes to the school and met the new principal, Mrs. Brown, who was very pleased to receive them.

Her thanks and our thanks equals a BIG HUG to each person/family who shared in this project!



## Food Collection

Because of so many generous and caring people's hands, feet and hearts 1135 lbs of food has been delivered to the Northern IL. Food Bank from Memorial. This is truly one of those times when it is right to say: It couldn't have been done without you! Thanks you, thank you, thank you!

## Confirmation Class

Classes meet every Wednesday at 7 pm  
October 28 thru May 2010

Nov. 11 \* trip to Synagogue in Skokie, IL.

Nov. 25 \* Thanksgiving Break

Dec. 12 \* Trip to Trinity UCC in Chicago, IL

## Confirmation Class of 2010

Is looking for  
Mentors

If interested contact Pastor  
Kwadwo

### Sunday Adult Classes



Meets 9:30 –10:30 am  
in the Hancock Room.

Current study "Living the Questions".

All Welcome!

Don Noren

## Shear Joy

### Free Hair Cuts



To church family

Men, Women and Children

**Sat. Nov. 14 9am– 3pm**

Appointments only.

Must arrive with clean hair!

Call for appointment 847-872-5877

Non Profit Org.  
U.S. Postage  
Paid  
Zion, IL  
Permit No. 60

Memorial United Methodist Church  
2935 Sheridan Rd.  
Zion, IL. 60099-3291

Memorial United Methodist Church  
2935 Sheridan Rd.  
Zion, IL. 60099

Sunday Worship Services  
9:30 & 11:00 am

Kwadwo Ntim, Pastor  
847-872-5757 Office  
847-872-4293 Home

E-Mail:  
Memorialunited1.church@com-  
cast.net

Web Page:  
[www.mumczion.org](http://www.mumczion.org)

